

SOLAR 2 PIECES BALL VALVE ATEX HIGH TEMPERATURE

2 pieces stainless steel ball valve high temperature with full bore for solar networks and high temperature.
PTFE filled with 15% graphite packing and seat.
Fugitive emission according to TA LUFT for an excellent tightness on the stem and to prevent external leakage.
Compatible with explosive atmosphere, ATEX Zone 1&21 and Zone 2&22 thanks to the antistatic device.



Size : DN1/4" to DN2"
Connection : Female BSP
Min Temperature : -20°C
Max Temperature : +200°C
Max Pressure : 63 Bars
Specifications : TA LUFT
Handle with locking device
Anti blow-out stem
ATEX
Full bore

Materials : Stainless Steel EN 1.4408

SOLAR 2 PIECES BALL VALVE ATEX HIGH TEMPERATURE

SPECIFICATIONS :

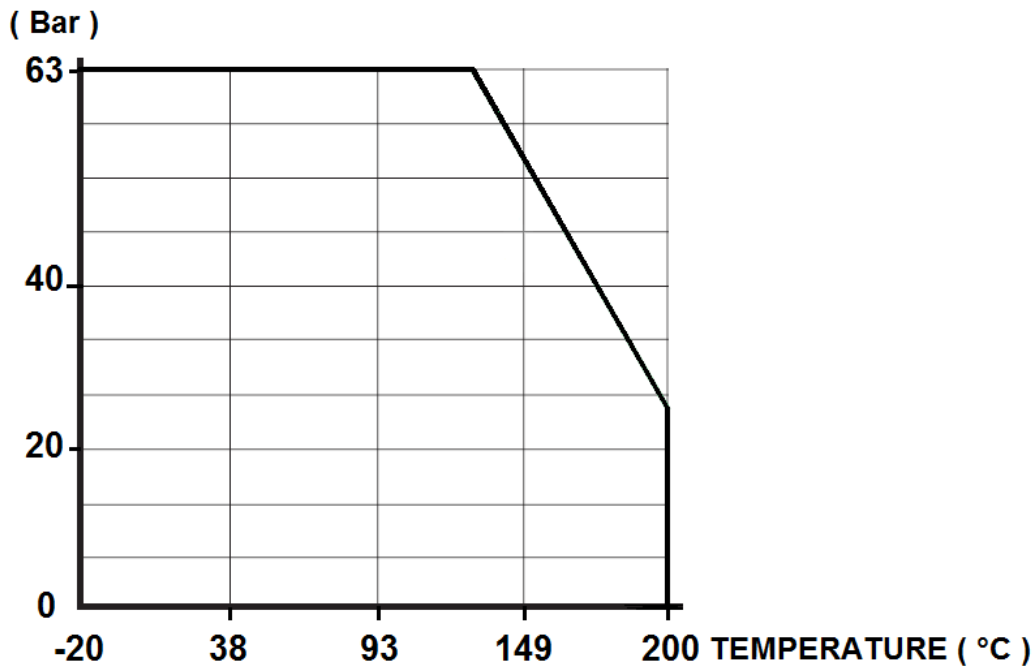
- Full bore
- Anti blow-out stem
- PTFE filled with 15% graphite seat
- Locking handle
- Atex
- Double antistatic device
- Tightness according to TA LUFT
- 2 pieces type
- Solid ball

USE :

- For solar use
- Steam : 11 bars maxi
- Min and max Temperatures Ts : -20°C to + 200°C
- Max Pressure Ps : 63 bars (see graph)

PRESSURE / TEMPERATURE GRAPH (STEAM EXCLUDED) :

PRESSURE



FLOW COEFFICIENT Kvs (M3 / h) :

DN	1/4"	3/8"	1/2"	3/4"	1"	1"1/4"	1"1/2"	2"
Kvs (m3/h)	19	22	34	62	98	170	247	427

SOLAR 2 PIECES BALL VALVE ATEX HIGH TEMPERATURE**TORQUE VALUES (in Nm without safety coefficient) :**

DN	1/4"	3/8"	1/2"	3/4"	1"	1"1/4"	1"1/2"	2"
Torque (Nm)	3.5	4	5.5	7.5	11	15	20	40

RANGE :

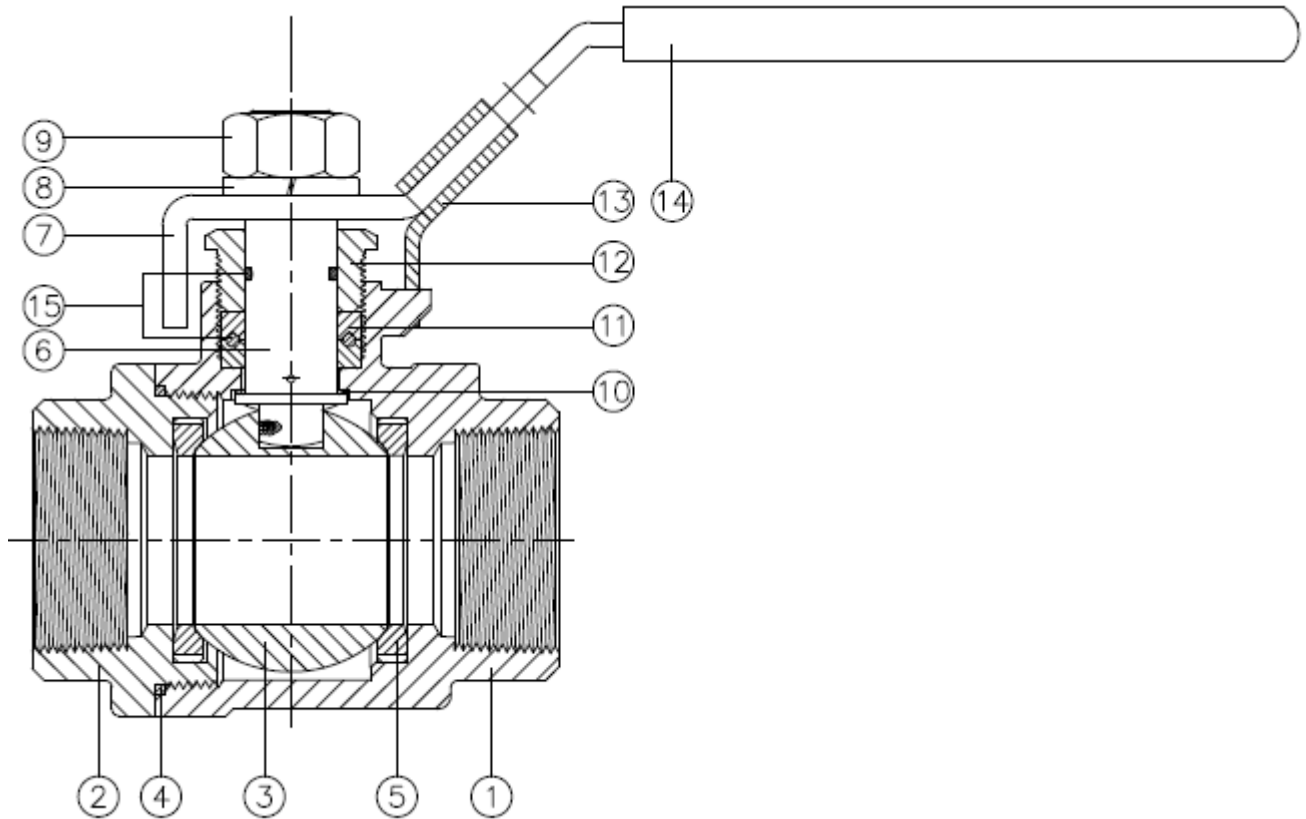
- Stainless steel ball valve for solar use **Ref. 714** from DN 1/4" to DN 2"

CONNECTION :

- Female / female threaded BSP cylindrical ends

SOLAR 2 PIECES BALL VALVE ATEX HIGH TEMPERATURE

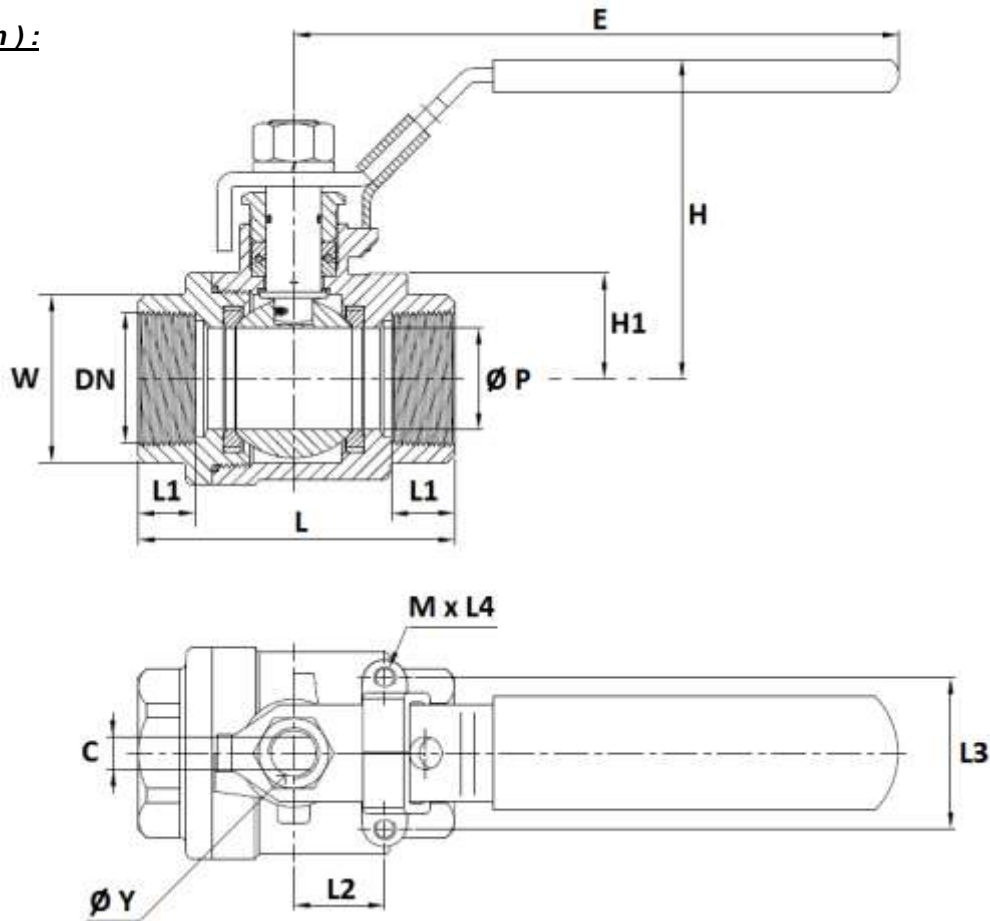
MATERIALS :



Item	Designation	Materials
1	Body	EN 1.4408
2	Ends	
3	Ball	
4	Body gasket	PTFE filled with 15% graphite
5	Seat	PTFE filled with 15% graphite
6	Stem	AISI 316
7	Handle	AISI 304
8	Handle washer	
9	Handle nut	
10	Gasket	PTFE filled with 15% graphite
11	Packing	PTFE filled with 15% graphite
12	Packing nut	AISI 304
13	Locking device	
14	Handle cover	PVC
15	O ring	FKM

SOLAR 2 PIECES BALL VALVE ATEX HIGH TEMPERATURE

SIZE (in mm) :



DN	1/4"	3/8"	1/2"	3/4"	1"	1"1/4	1"1/2	2"
Ø P	11.6	12.5	15	20	25	32	38	50
L	50.8	50.8	58	65.6	78.7	90	105	124
L1	10	9	13	13	17	18	20	24
L2	12.7	12.7	12.7	12.7	22.4	22.4	23.2	23.2
L3	28.5	28.5	28.5	28.5	35	35	38.1	38.1
M x L4	M5 x 5.5			M5 x 6	M5 x 6.5	M6 x 5.5	M6 x 6	
E	100	100	100	125	149	149	190	190
H	58.5	58.5	58.5	63.5	78	83	102	108
H1	15.8	15.8	15.8	21.3	23.8	30.5	35.5	44.3
C	5	5	5	6.5	8	8	10	10
Ø Y	9.5 (3/8"-24UNF)			11.1 (7/16"-20UNF)			12.7 (1/2"-20UNF)	
W (on flat)	19	23	26	32	38	49	54	67
Weight (Kg)	0.2	0.2	0.3	0.5	0.8	1.1	1.8	2.7
Ref.	714002	714003	714004	714005	714006	714007	714008	714009

SOLAR 2 PIECES BALL VALVE ATEX HIGH TEMPERATURE**STANDARDS :**

- Manufacturer certified ISO 9001 : 2015
- DIRECTIVE 2014/68/EU : For liquids and gas of Group 1
 - DN1/4"-1" : Article 4, §3 (SEP), no CE marking
 - DN1"1/4-2" : Risk Category II, CE0035 marking
- Certificate 3.1 on request
- Pressure tests according to API 598, table 6
- Female cylindrical BSP threaded ends according to ISO 7/1 Rp
- ATEX Group II Category 2 G/2D Zone 1 & 21 Zone 2 & 22 (optional marking)
- Tightness according to TA LUFT/5.2.6.4 & VDI 2440/3.3.1.3

ADVICE : Our opinion and our advice are not guaranteed and SFERACO shall not be liable for the consequences of damages. The customer must check the right choice of the products with the real service conditions.